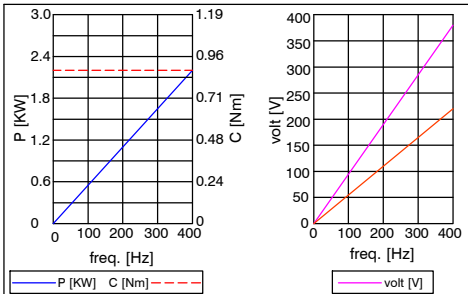
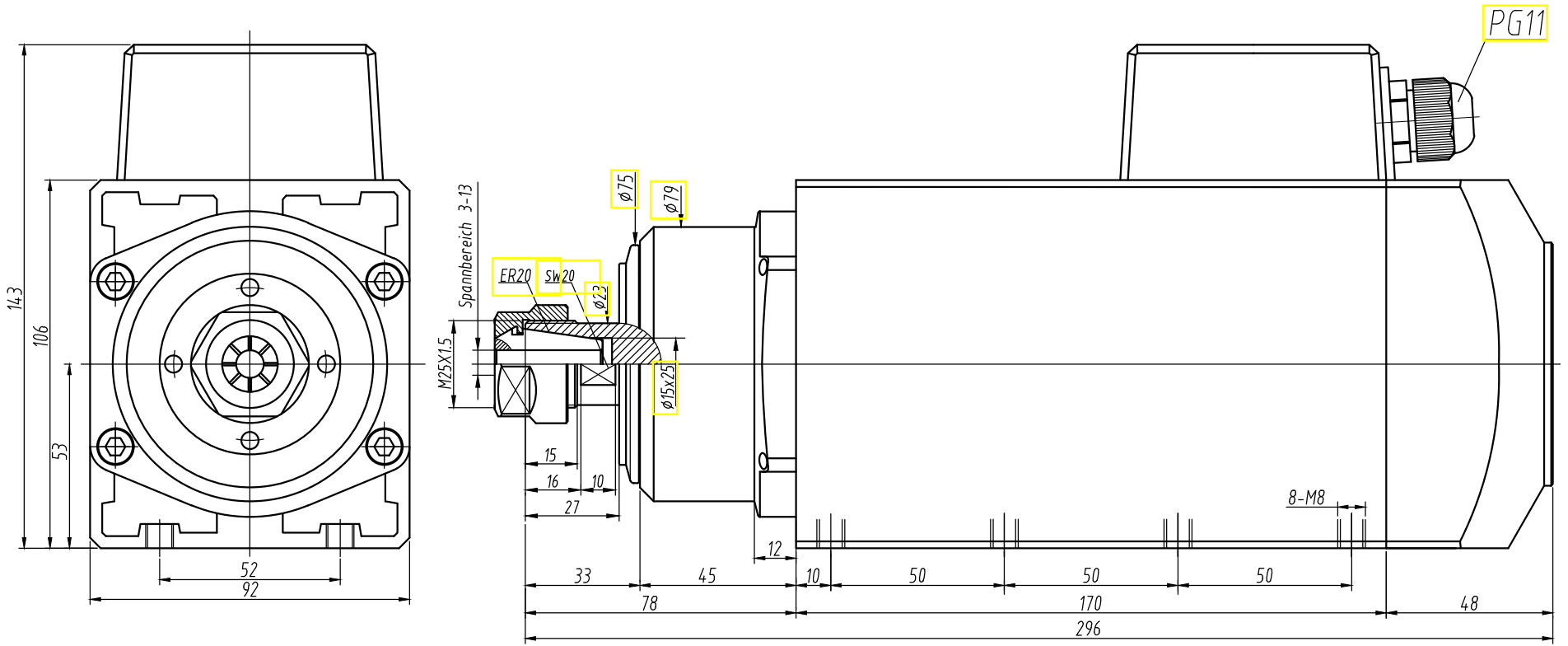
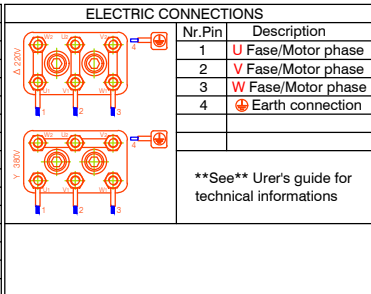


Warning: Perform a bearing break-in procedure for new spindle.  
 Visit UgracNC.com FAQ for details.

Warning: Perform a bearing break-in procedure for new spindle.  
 Visit UgracNC.com FAQ for details.



Voltage	V±10%	380	220
Output Power	kW	2.20	2.20
Current	A	5.60	9.70
Frequency	Hz	400	400
rpm	rpm	24000	24000
Torque	Nm	0.88	0.88
Front Bearing			
Vost. Bearing			
Efficiency	η		0.75
Power factor	cosφ		0.77
Poies			2
Service type			S1
Insulation classoltage			F
Cooling			Aria forzata
Weight	kg		
Type of Protection	IP		54



**SFM4653B-24/2.20TMP**

Mark	Change Description	Date:	Name
Design:	M.Z.HUANG	Date:	28/05/2011
Check:	J.F.WU	Date:	28/05/2011
Approv:		Date:	
Scale:		Size:	A4
		Page:	1/1

SFM4653B-ER20-380V/220V-DX-24/400HZ-2.20KW/S1

**MT 深谊**

Drawing Ver : A4  
 Dimensions in mm

**高速电主轴**